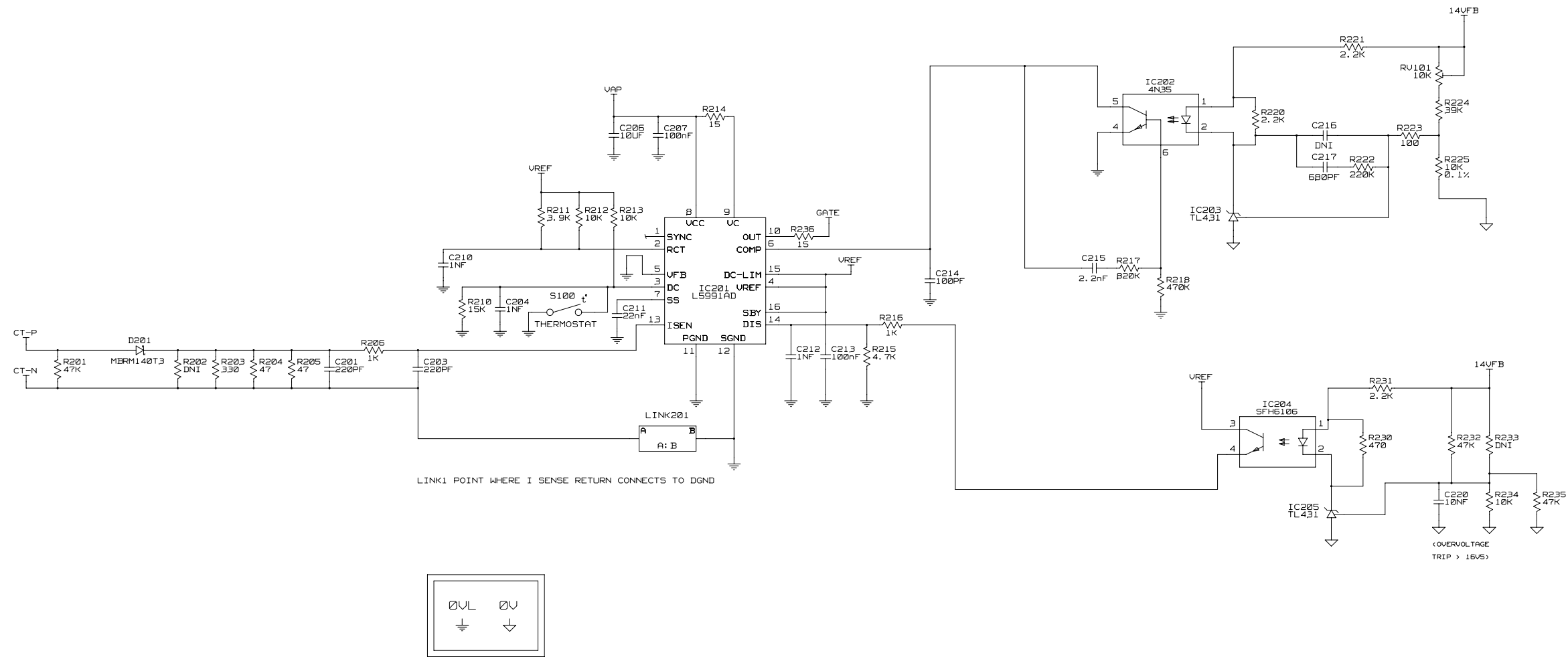
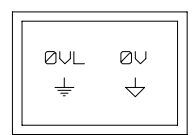


02A	PROTOTYPE	TB	SEATON	CK	SEATON	21/11/05
01A	PROTOTYPE	TB	SEATON	CK	SEATON	10/08/05
REV/ISS	AMENDMENTS	DRAWN	CHKD	D. O.	APVD	DATE
1						
2						
3						
4						

© TAIT ELECTRONICS		A1
TB7100 AC-DC CONVERTER		
IPN: 220-02083-02	ISSUE: A	VARIANT NUMBER: ?
FILE DATE: Wed Nov 23 10:05:47 2005		
ENGINEER: Seaton	FILE NAME: 220_02083	SHEET NUMBER: 1 OF 2

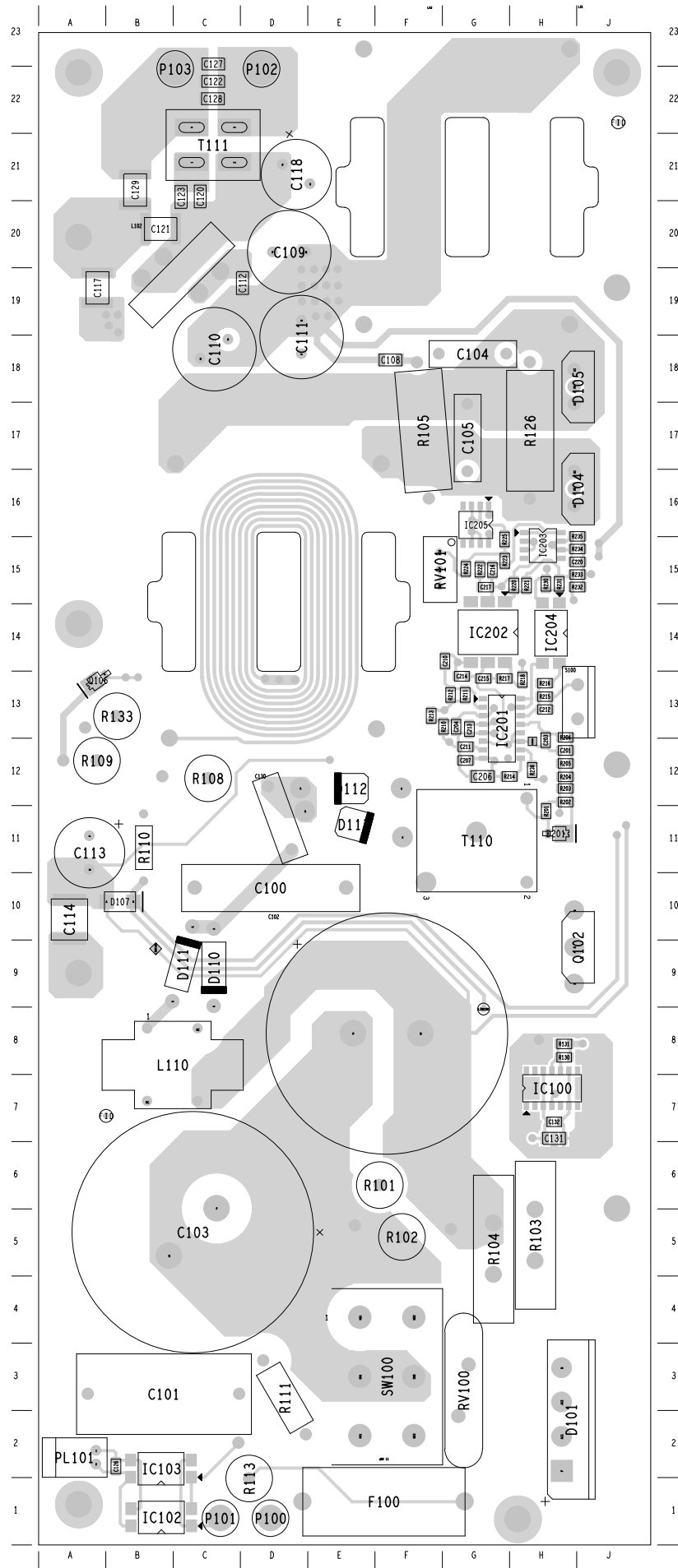


LINK1 POINT WHERE I SENSE RETURN CONNECTS TO DGND

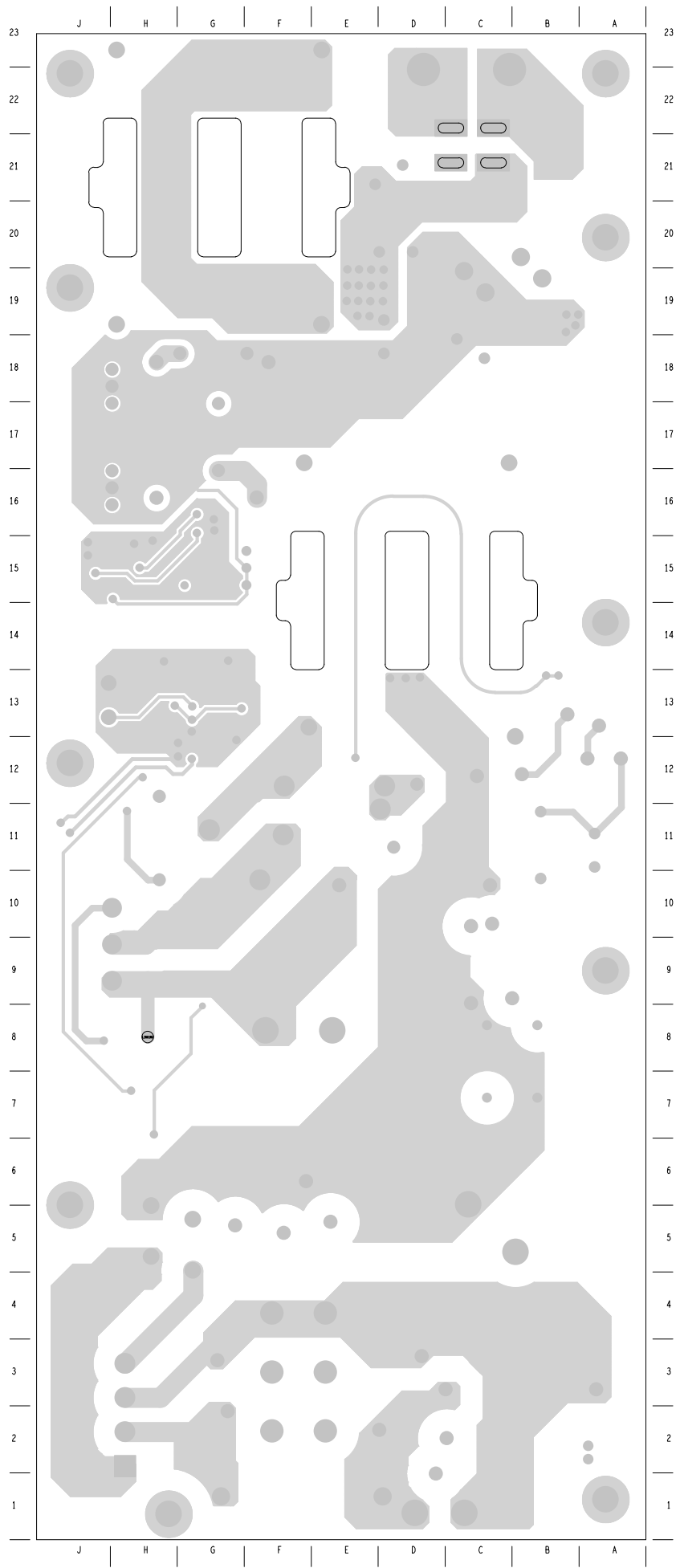


© TAIT ELECTRONICS		A1
TB7100 AC-DC CONTROL		
IPN: 220-02083-02	ISSUE: A	VARIANT NUMBER: ?
FILE DATE: Wed Nov 23 10:05:48 2005		
ENGINEER: Seaton	FILE NAME: 220_02083	SHEET NUMBER: 2 OF 2

REV/ISS	AMENDMENTS	DRAWN	CHKD	D. O.	APVD	DATE
1	2	3	4	5	6	7



TAIT ELECTRONICS	IPN: 220-02083-02	ISS: A	DATE: 23Nov05	SCALE: NTS
TB7100 TB7100 ACDC CONVERTER PCB. LAYOUT-PRIMARY-SIDE				



TAIT ELECTRONICS	IPN: 220-02083-02	ISS: A	DATE: 23Nov05	SCALE: NTS
TB7100 TB7100 ACDC CONVERTER PCB. LAYOUT-SECONDARY-SIDE				